

## Ventilation Equipment Condensation hood with fan for 20 GN 1/1 electric oven

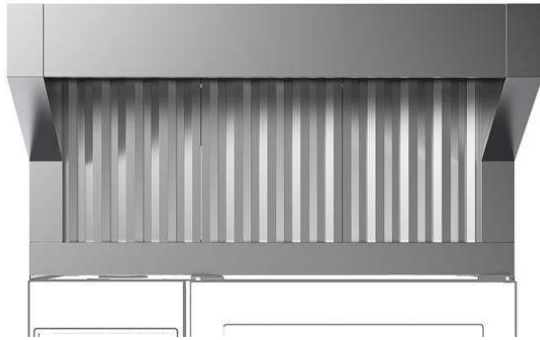
ITEM # \_\_\_\_\_

MODEL # \_\_\_\_\_

NAME # \_\_\_\_\_

SIS # \_\_\_\_\_

AIA # \_\_\_\_\_


**922725 (HOCV11E)**

 Condensation hood with fan  
 for 20 GN 1/1 electric oven

### Short Form Specification

**Item No.** \_\_\_\_\_

- Constructed in 304 AISI stainless steel
- Steam condensation device
- Equipped with labyrinth filters in 304 AISI stainless steel (positioned on front), condensation filter and extra droplets separator acting as a steam-liquid separator
- Built-in fan which automatically controls the air capacity according with the quantity of steam produced
- The frontal ventilation is activated when the door of the oven is opened and thanks to a direct software connected to the oven, the hood automatically activates fan power and odor absorption based on real oven activity
- Suitable for installation on ELECTRIC LW COMBI OVENS 20 GN 1/1.

### Main Features

- Filtering surface protects against fire hazard.
- No need for an external exhaust pipe, thus eliminating carpentry costs.
- Complete ventilation system which eliminates the need for an exhaust duct with external connection.
- Fan motor with 3 automatic speeds:
  - Low speed when door is closed and valve is closed;
  - Medium speed when door is closed and valve is open;
  - High speed when door is open.
- Frontal labyrinth and condensation filters are easy to remove and cleanable in a dishwasher.
- The cable connection between the hood and the oven makes possible the communication between them. Connection of the hood to the oven's software automatically activates fan power and odour absorption based on real oven activity.
- The hood and the oven are synchronized: the hood switches On/Off when the oven starts/stops; based on real oven activity the hood automatically activates Hi/Medium/Low fan power for odour absorption.
- Can be used with 20 GN 1/1 electric LW combi ovens.

### Construction

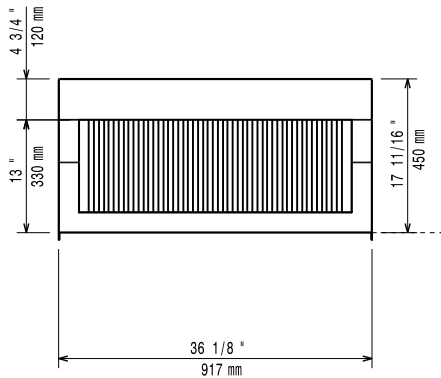
- Constructed entirely in 304 AISI stainless steel.
- Automatic door opening activation system.
- Multiple filtration systems:
  - prefiltering of exhaust steam through stainless steel labyrinth filters;
  - condensation filter and extra droplets separator acting as a steam-liquid separator.
- Developed and produced in ISO 9001, ISO 14001 and ISO 50001 certified factory.
- Must be installed in a space where normal aeration, according to regulations, is present.

### Sustainability

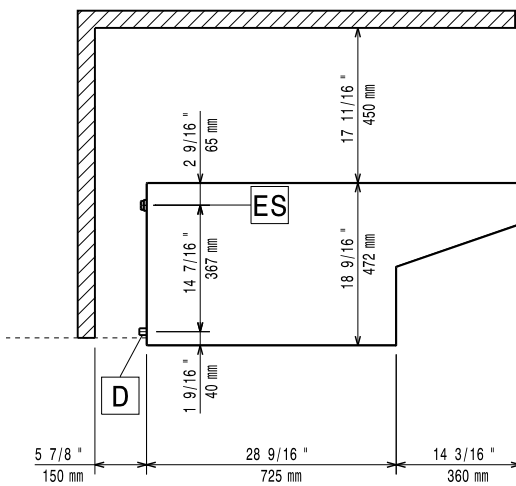
- System guarantees correct suction as well as high energy saving.


**APPROVAL:** \_\_\_\_\_

Front

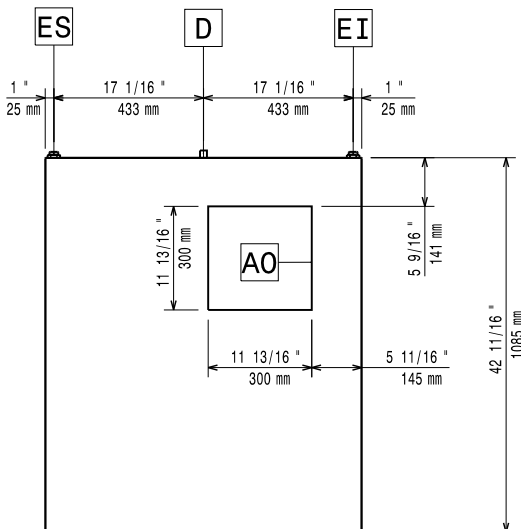


Side



D = Drain  
 EI = Electrical inlet (power)

Top



### Electric

Supply voltage:

922725 (HOCV11E) 220-240 V/1 ph/50 Hz

Default Installed Power:

0.4 kW

### Key Information:

External dimensions, Width: 917 mm  
 External dimensions, Depth: 1085 mm  
 External dimensions, Height: 472 mm  
 Net weight: 78 kg  
 Shipping weight: 82 kg